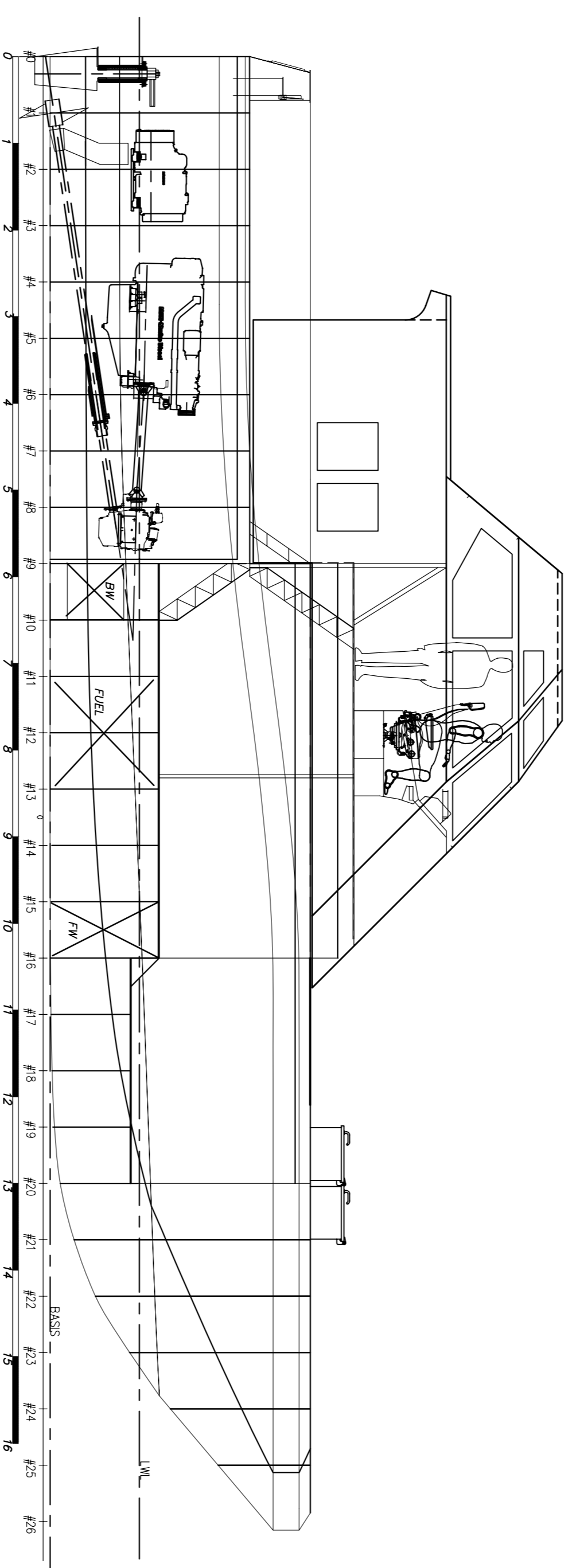
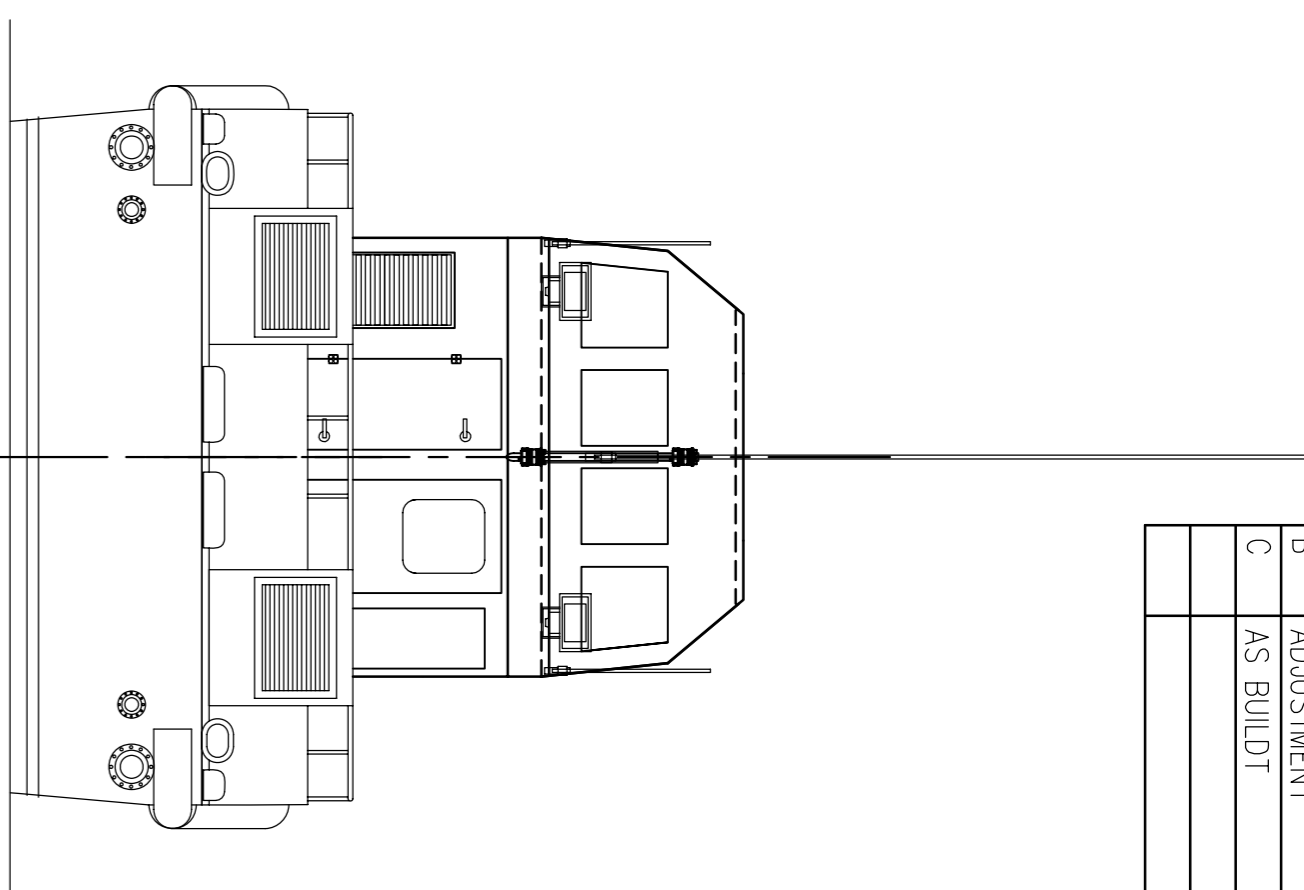
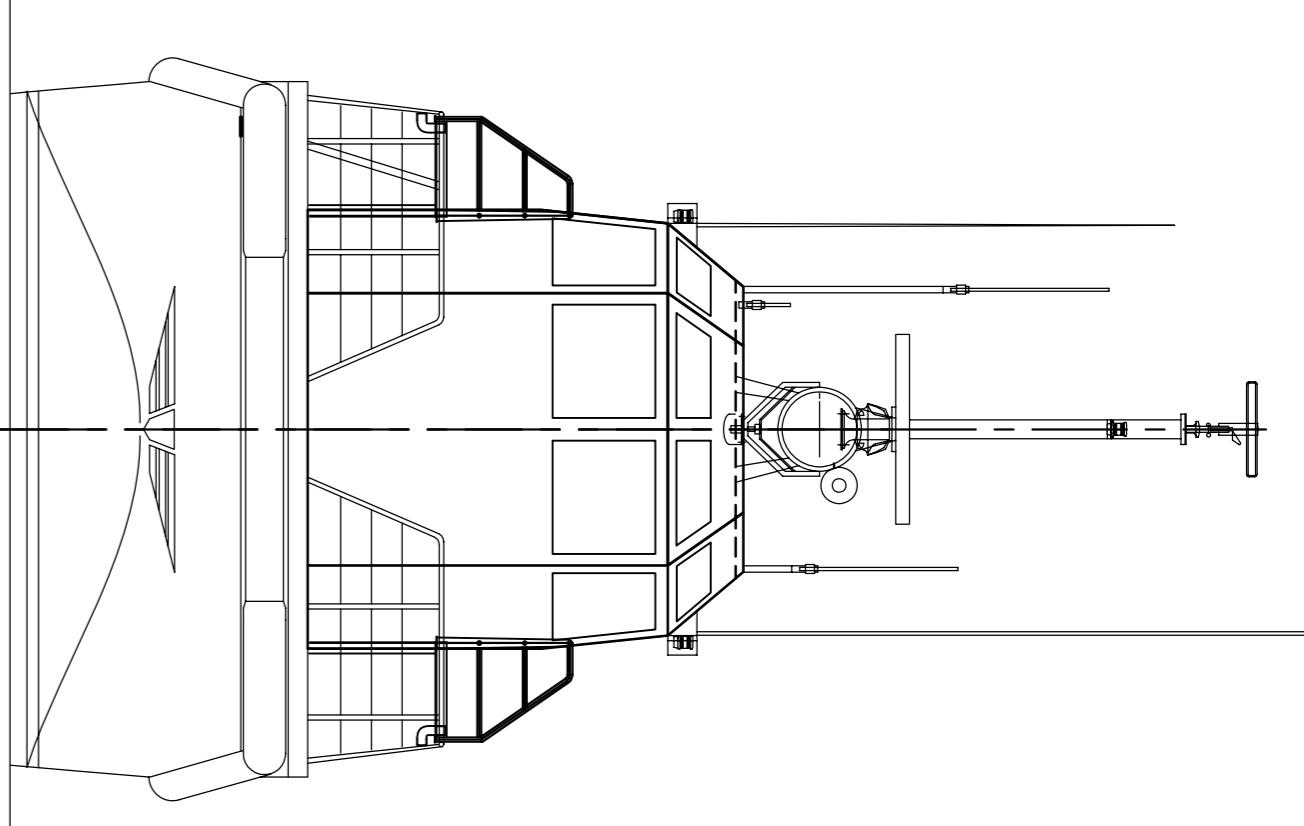
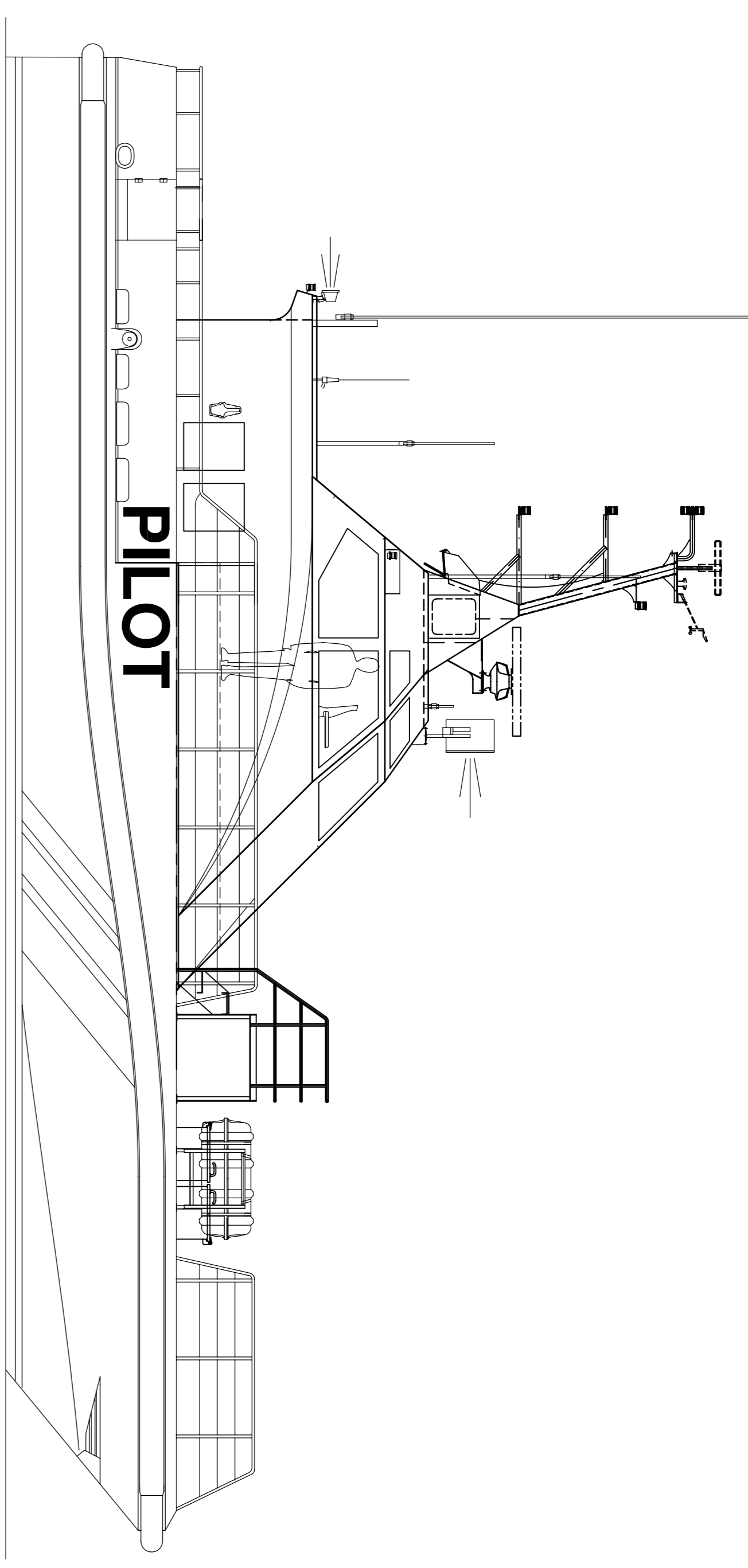
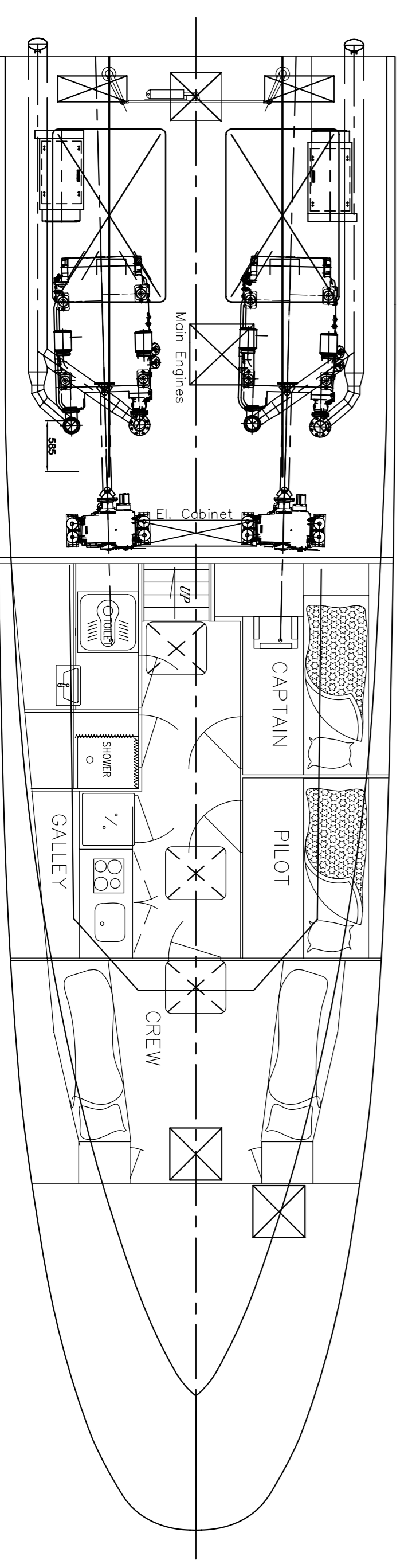
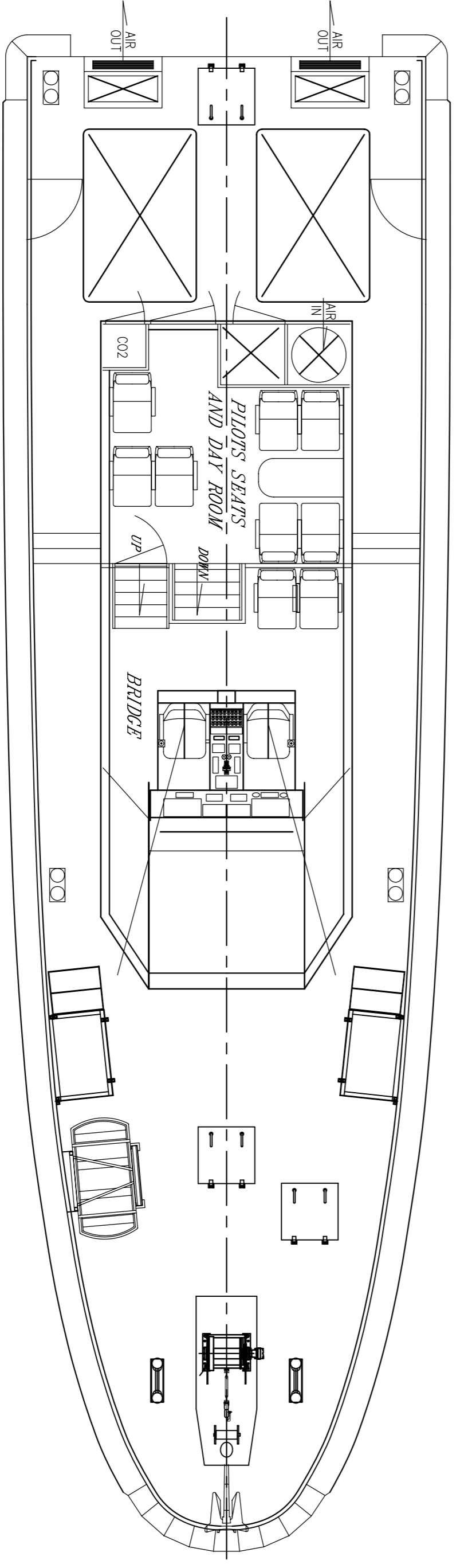
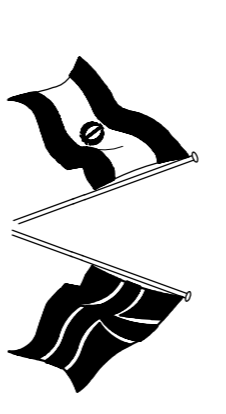


Rev.	Reason for Issue.	Date	Dw.	Ork.	App.
A	ISSUED FOR APPROVAL	13.03.06	TP	OR	OR
B	ADJUSTMENT	23.06.06	MPW	VT	VT
C	AS BUILT				



MAIN DIMENSIONS:
 LENGTH OVER ALL : 17.00 M
 LENGTH WL : 15.15 M.
 BEAM HULL : 4.60 M.
 DRAUGHT MAX : 1.25 M.
 DEPTH MOULDED MAIN DECK : 2.30 M.



CONFIDENTIAL
 This drawing/document is and remains the property of Bhiservice Mandol A/S and must be returned upon request. The information and know-how herein are confidential and may not be used, reproduced or revealed to others, in whole or in part, except with the prior written consent of Bhiservice Mandol A/S. Any permitted reproduction must bear this legend.

Bhiservice Mandol as PÅSLEV 113, K-4501 MANDAL NORWAY TELEPHONE : +47 38 27 13 90 FAX : +47 38 28 48 80 E-MAIL : bhiservice@bhiservice.no	YARD No.:	DATE:	DESIGN:	SCALE:
	58	30.01.06	OR	1:50
	DRWN:	APPROV:	FORM:	
	OLO/MPW	OR	A1	
TITLE:		GENERAL ARRANGEMENT		
DRAWING No.:		58-10-16554		
ISSUE:		C		